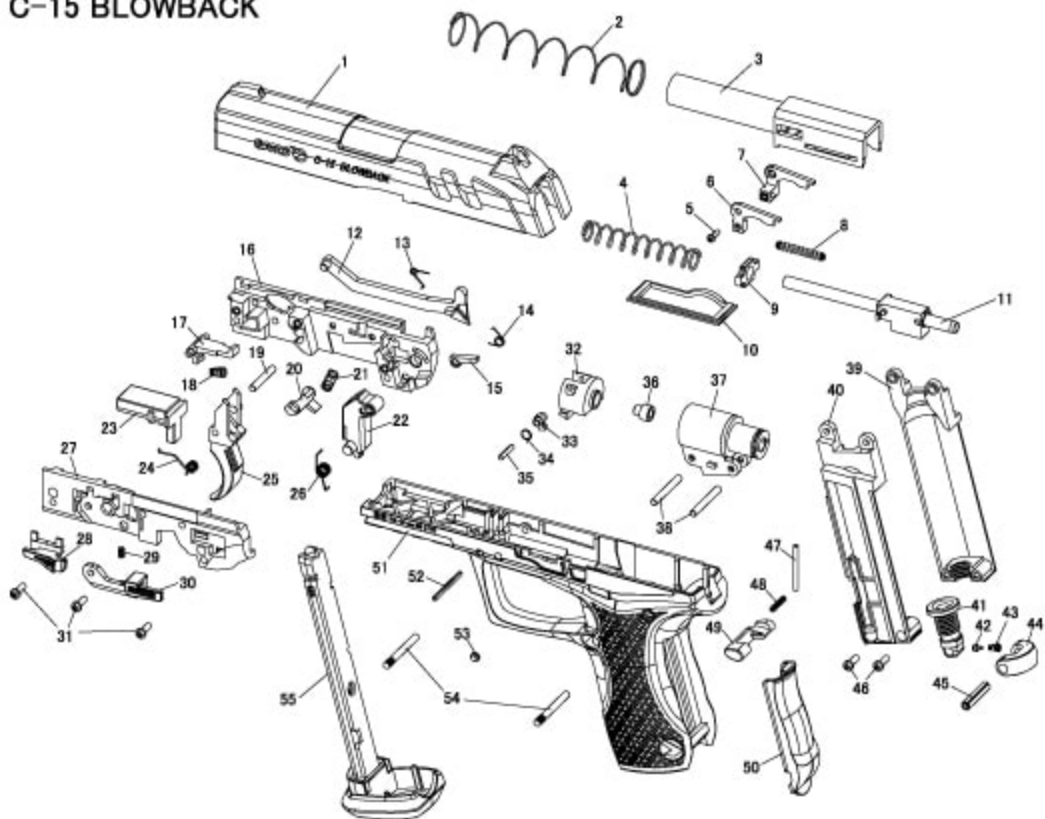


C-15 BLOWBACK



- | | | |
|------------------------------|---------------------------|---|
| 1. Slide Assembly | 21. Safety Spring | 41. Puncture Adjuster Screw |
| 2. Recoil Spring | 22. Hammer | 42. Puncture Screw Click Plunger |
| 3. Outer Barrel | 23. Slide Block | 43. Puncture Screw Click Plunger Spring |
| 4. Inner Barrel Spring | 24. Trigger Spring | 44. Puncture Adjuster Screw Knob |
| 5. Sear Screw | 25. Trigger | 45. Puncture Screw Pin |
| 6. Left Sear | 26. Hammer Spring | 46. Puncture Frame Screw |
| 7. Right Sear | 27. Mechanism Frame Left | 47. Magazine Catch Pin |
| 8. Sear Spring | 28. Safety Lever | 48. Magazine Catch Spring |
| 9. Inner Barrel Spring Base | 29. Slide Stop Spring | 49. Magazine Catch |
| 10. Outer Barrel Plate | 30. Slide Stop | 50. Rear Grip |
| 11. Inner Barrel Assembly | 31. Mechanism Frame Screw | 51. Frame |
| 12. Trigger Bar | 32. Chamber | 52. Slide Block Pin |
| 13. Trigger Bar Spring | 33. BB Stopper | 53. Red Dot |
| 14. Trigger Bar Lock Spring | 34. BB Stopper Spring | 54. Frame Pin |
| 15. Trigger Bar Look | 35. BB Stopper Pin | 55. Magazine Assembly |
| 16. Mechanism Frame Right | 36. Firing Pin | |
| 17. Inner Barrel Lock | 37. Valve Assembly | |
| 18. Inner Barrel Lock Spring | 38. Valve Body Pin | |
| 19. Trigger Pin | 39. Puncture Frame Right | |
| 20. Safety | 40. Puncture Frame Left | |